

# Junction Box Terminal Head

SMD J-Box can be mounted on our multi-point liquid level sensors and our continuous fluid level sensor. A terminal head is typically used for end termination which is common in industrial type liquid level sensors. Inside the head, terminal blocks or circuitry are placed to carry the sensor signal to the control circuit or PLC. The internal terminal blocks or circuitry are protected from the external environment as terminal heads often provide good ingress protection (IP) and temperature protection. Most commonly terminal heads are made from aluminum but can be stainless steel, cast iron or plastic depending on the application.

P/N	DESCRIPTION	CERTIFICATION	MATERIAL	FLOAT SWITCH SIDE THREAD D1	CUSTOMER SIDE THREAD D2
125-8658-1212S	1/2" NPT Process x 1/2" NPT Conduit		ALUMINUM	1/2" NPT	1/2" NPT
125-8658-1212U	1/2" NPT Process x 1/2" NPT Conduit	FM, FMC, ATEX, IECEx	ALUMINUM	1/2" NPT	1/2" NPT
125-8658-3434S	3/4" NPT Process x 3/4" NPT Conduit		ALUMINUM	3/4" NPT	3/4" NPT
125-8658-3434U	3/4" NPT Process x 3/4" NPT Conduit	FM, FMC, ATEX, IECEx	ALUMINUM	3/4" NPT	3/4" NPT
125-8658-1212X	1/2" NPT Process x 1/2" NPT Conduit	FM, FMC, ATEX, IECEx	STAINLESS STEEL	1/2" NPT	1/2" NPT
125-8658-3434X	3/4" NPT Process x 3/4" NPT Conduit	FM, FMC, ATEX, IECEx	STAINLESS STEEL	3/4" NPT	3/4" NPT

Certification	Equipment Ratings
FM	Explosion proof for Class 1, Division 1, Groups A,B, C and D;
	Dust – ignition proof for Class II, III, Division 1, Groups E, F and G
	Hazardous (classified) locations; indoor/ outdoor
	Aluminum: NEMA 4
	SS316: NEMA 4X
FMC (Canada)	Explosion proof for Class 1, Division 1, Groups A,B, C and D;
	Dust – ignition proof for Class II, III, Division 1, Groups E, F and G
	Hazardous (classified) locations; indoor/ outdoor
	Aluminum: NEMA 4
	SS316: NEMA 4X
ATEX	ATEX Directive Code; II 2G D
	EX db IIC T6 Gb
	EX tb IIIC T100°C Db
IECEx	Ex db IIC T6 Gb
	Ex tb IIIC T100°C Db

## Features

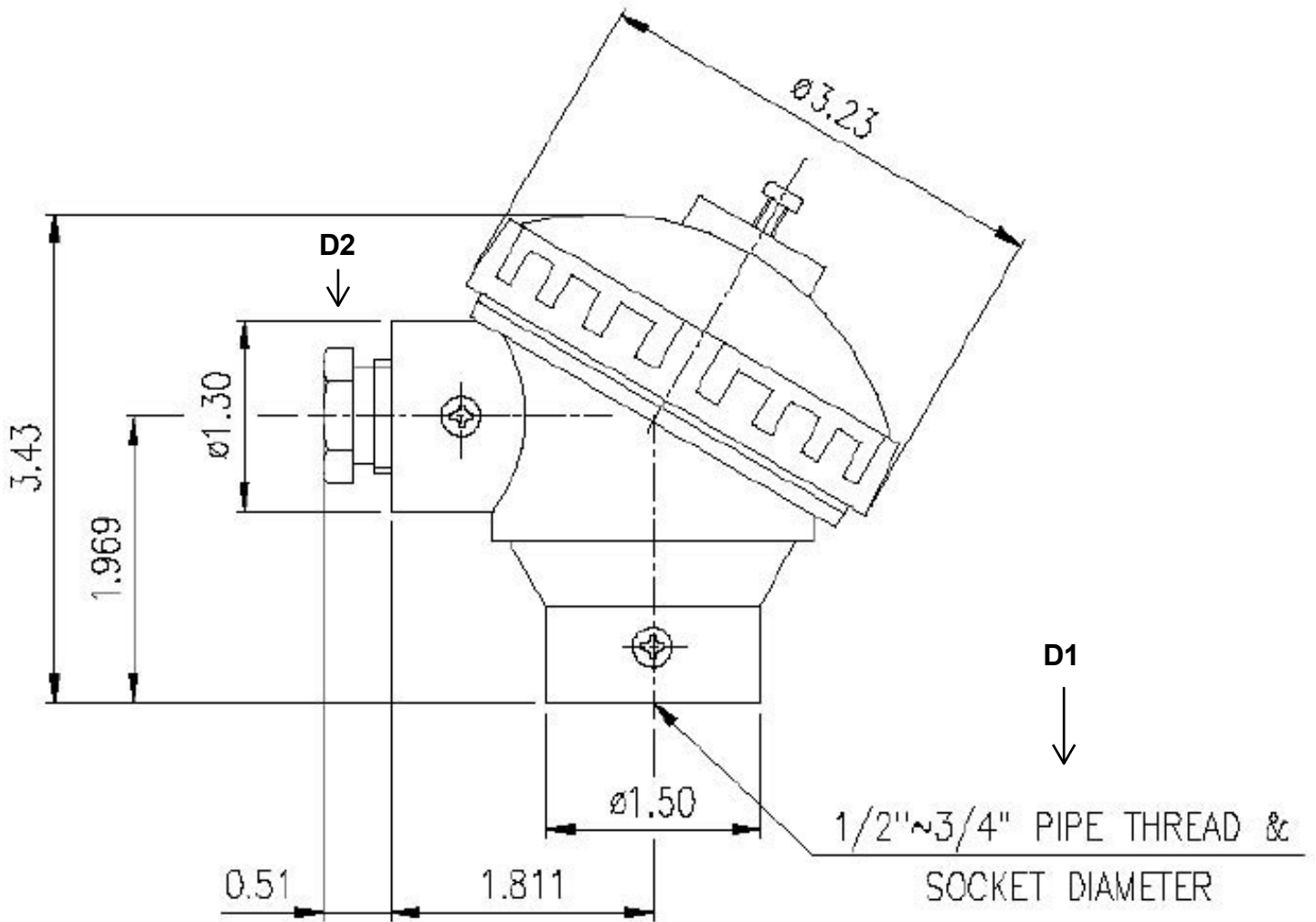
- Explosion proof
- Weather protection
- IP rated wire termination
- External sensor circuitry (located at the top of the sensor for signal conditioning)
- Addition of chemical resistance and protects against harsh environments
- Protects conductors in threaded rigid conduit
- Acts as pull and splice boxes
- Provide access to conductors for maintenance and future system changes
- Acts as mounting outlets for fixtures or sealing fittings (with appropriate covers)



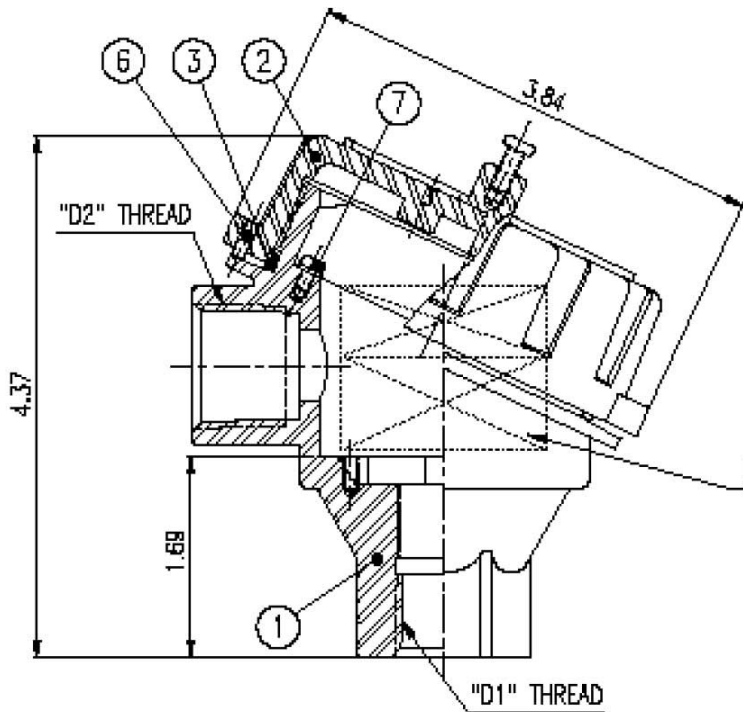
USA  
SMD Fluid Controls  
55 Barnes Park North, Wallingford, CT 06492  
[solutions@fluidswitch.com](mailto:solutions@fluidswitch.com) | (203) 294-5800

Europe  
Fluid Controls UK  
Bury Road, Chedburgh, Bury St Edmunds IP29 4UQ  
[sales@smdsensors.co.uk](mailto:sales@smdsensors.co.uk) | +44 (0)1284 852 000

125-8658-1212S  
125-8658-3434S  
125-8658-1212X  
125-8658-3434X



125-8658-1212U  
 125-8658-3434U  
 125-8658-1212X  
 125-8658-3434X



Item #	Description	Material
1	Body	XDA: Alloy-AL ADC12 XDS: SS316
2	Cover	XDA: Alloy-AL ADC12 XDS: SS316
3	O-Ring	EPDM
4	Chain w/ 2 Screws	SS304 / SS302
5	Screw & Locking Washer (M4x5L)	SS304 / SS302
6	Grub Screw (M3x8L)	SS302
7	Screw & Locking Washer	SS304 / SS302

