

FS52 – Polypropylene Float Bulkhead Mount

Specialty vertical plastic level sensors made from economical polypropylene, this float switch is a versatile option for use with acid solutions, water, and oils. The FS52 is mountable with a simple through-hole or M10 bulkhead brackets.

FS52

Available in either normally open (NO) or normally closed (NC) configurations, these 26 mm float switches feature 14 to 35.5 mm switch closure, plastic stem and hex nut, 50 watt switch, 250 VDC max voltage, 80°C temperature max, maximum pressure of 25 PSIG.

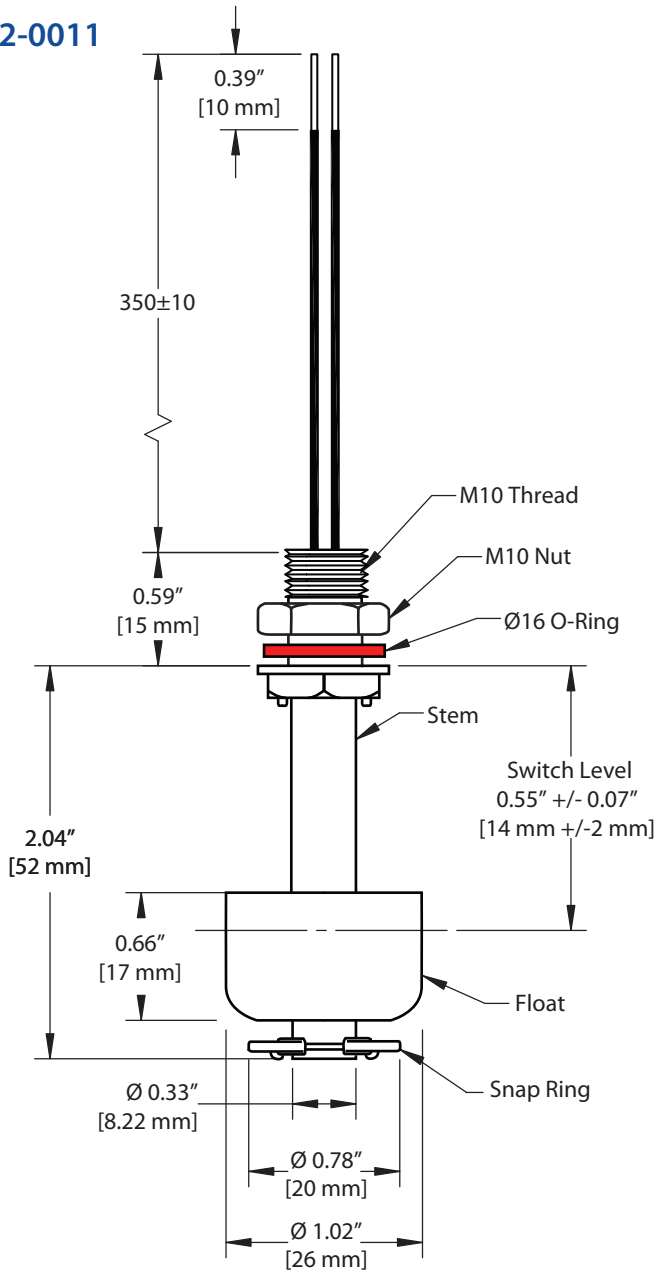
FS52-0011 - 26 mm Polypropylene Float with 14 mm Switch Level, Normally Open

FS52-0111 - 26 mm Polypropylene Float with 33.5 mm Switch Level, Normally Closed

Part Number	Switch Type	Max Switching Current	Max Switching Voltage	Max Temp	Max Pressure
FS52-0011	50 Watt (NO)	1 Amps	250 VDC	80° C	25 psig
FS52-0111	50 Watt (NC)	1 Amps	250 VDC	80° C	25 psig



FS52-0011



FS52-0111

