

FS01 – Economy Vertical Float Switch

Plastic liquid level sensors are cost-effective and dependable, these vertical level sensors come in two material options offer diverse application options. Polypropylene fluid switches are best for general use with water or acids, while nylon stems with Buna floats provide superior buoyancy for petroleum fluids and hydraulic oils.

FS01

Vertically mounted miniature polypropylene float switch with M8 threads and gasket offers dependability at a cost-effective price. Economically priced units offer a 50 watt switch with 3/4" float. Come standard with 24 AWG PVC leads but can easily be configured for longer leads for remote wiring.

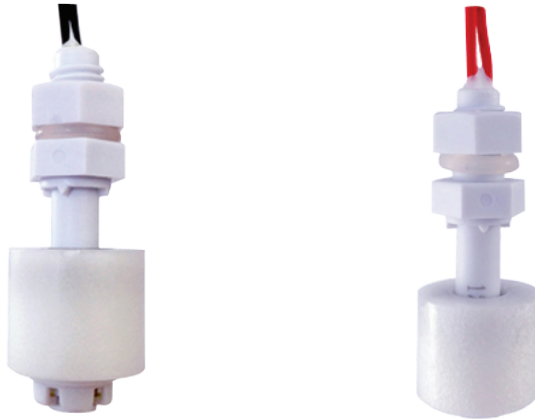
FS01-0011 - 3/4" Polypropylene Normally Open (NO) Float Switch

FS01-0111 - 3/4" Polypropylene Normally Closed (NC) Float Switch

FS01-1000 - 0.58" Polypropylene Normally Open (NO) - Normally Closed (NC) Float Switch

Part Number	Switch Type	Max Switching Current	Max Switching Voltage	Max Temp	Max Pressure	Specific Gravity
FS01 -0011	50 Watt	0.5 Amps	220 VDC	90° C	25 psig	0.80
FS01 -0111	50 Watt	0.5 Amps	220 VDC	90° C	25 psig	0.80
FS01 -1000	50 Watt	0.5 Amps	220 VDC	90° C	25 psig	0.67

- 24 AWG, 13" Leads
- 1/8" NPT Mounting Threads & Nut
- 48" [1219.2 mm] Zip cord Leads available FS01 - (0011 & 0111)
- Silicone O-Ring

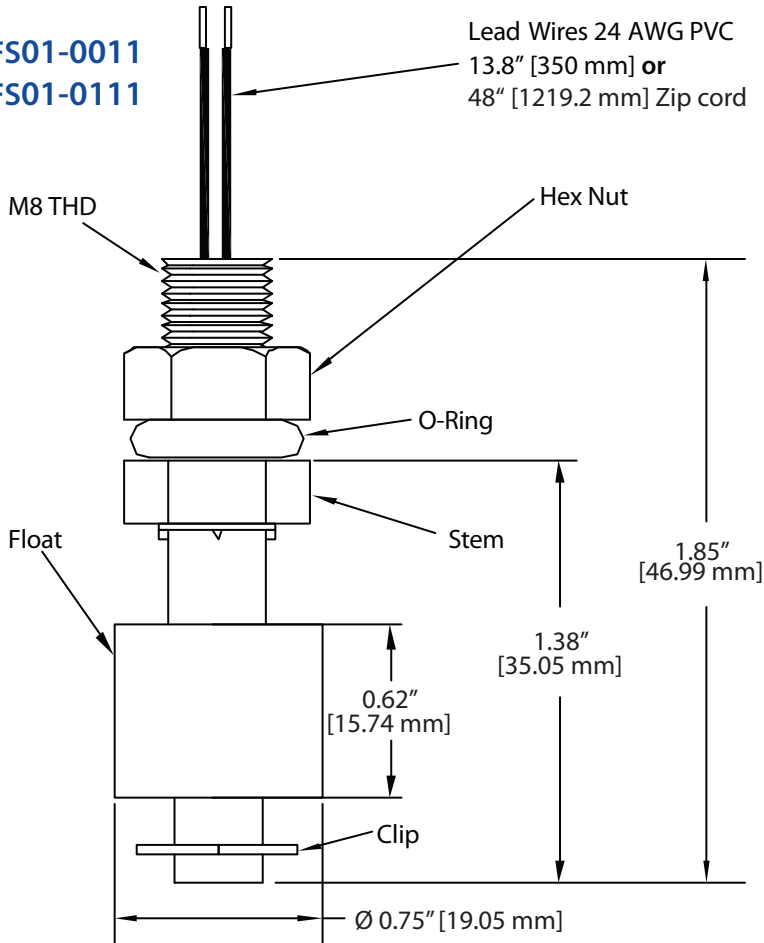


Due to their versatility and trustworthy design, vertical float switches are used by many different industries for a variety of different applications. The FS01 can also be custom designed or modified to meet exact application requirements.

The automotive industry is an ideal marketplace for this economy vertical float switch. Perfect when used to detect the level of liquids or other fluids such as fuel or coolant inside of a container or other vessel because they are able to measure the exact amount of the substance at any given time. With sensors in place, there can be ample time for preventive action before a larger issue occurs.



FS01-0011
FS01-0111



FS01-1000

