



FU05 - Plastic Ultrasonic Point Level Sensors

This 1/2"NPT x 1/2" NPT Chemical Resistant plastic sensor is ideal for point level sensing in tough environmental applications. The gap sensor senses the presence or absence of liquids of many different types or make up. These Level sensors are ideal for High and Low level indication, and with no moving parts, this sensor can be mounted in any orientation that allows the liquid level to move in or out of the sensor gap. You can select a Polypropylene model for chemical resistance or Nylon for oil , petroleum or hydraulic fluid sensing.

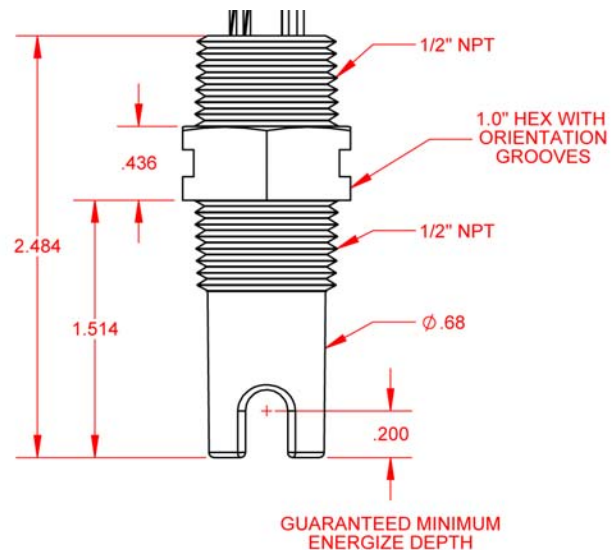
Output signal versions are available in Single Pole and Double Pole relay, or solid state digital output for low voltage circuits.

FU05- Polypropylene or Nylon 1/2" NPT mount sensor

List Priced \$185 ea.



- High and Low level tank detection
- In-line liquid presence or absence sensing
- Pump Point Level control signals
- Hydraulic or Cooling liquid level sensing



Supply Voltage: 5 to 15 Vdc
 Power Consumption: 25mA
 Lead Wires: 24Awg, 12"
 Temp: -40 to 80 C

Accuracy: +/- 1mm
 Repeatability: +/- .5mm

Pressure: 150 psi @ 77 F

| Part Number | Material | Output |
|-------------|----------|----------------|
| FU05-PP01 | Polypro | Relay SPDT |
| FU05-NY01 | Nylon | Relay SPDT |
| FU05-PP03 | Polypro | Digital Output |
| FU05-NY03 | Nylon | Digital Output |