



# SMD Fluid Controls, Inc.

## FU-LL25 and FU-LL50 Miniature Ultrasonic Level Sensor

These durable 316LSS Liquid Level Sensors make a cost effective choice for tight spaces, or direct replacement of Electro Optical or Magnetic Float Switches. NPT design makes for easy installation, and the solid construction makes for easy tank cleaning.

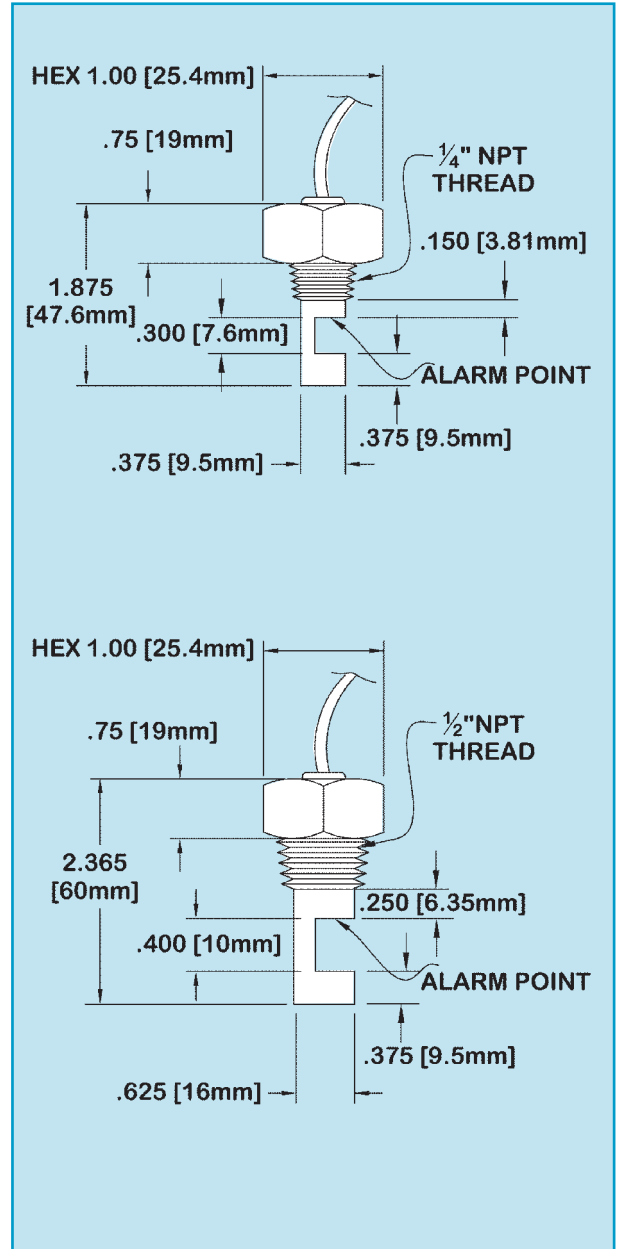
**FU-LL25-03 1/4" NPT Mount Miniature Sensor**

**FU-LL50-07 1/2" NPT Mount Miniature Sensor**



**Standard Features:**

- 5Vdc – 30Vdc Input Voltage (3.3 Vdc optional)
- 1 Amp SPST (NO,C) Relay Output
- 100 mA max. Sink or Source also available
- Up 250 psig Standard (500 psig optional)
- 20 F to +176 F (-29 C to +80 C)
- .5 second delay
- 12" Cable

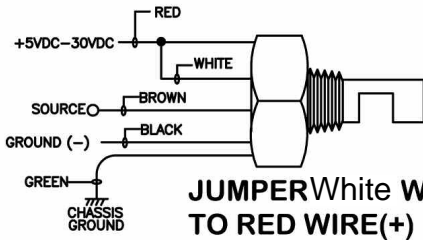




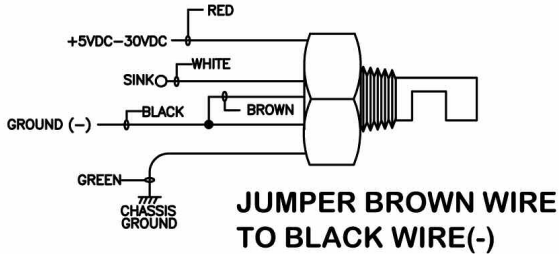
# SMD Fluid Controls, Inc.

## TYPICAL WIRING DIAGRAM

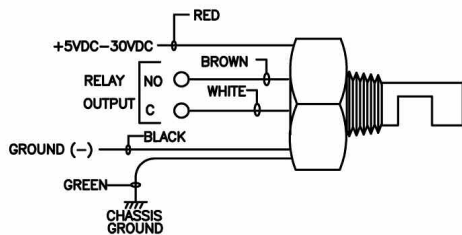
### SOURCE OUTPUT



### SINK OUTPUT



### RELAY OUTPUT



## SPECIFICATIONS

**Repeatability:** 2mm or better

**Delay:** 0.5 seconds

**Input Power:** 5 VDC to 30VDC

**Leakage Current:** Less than 50µA

**Outputs: Source** - 100mA max STD (standard)

**Sink** - 100mA max STD (standard)

**Relay Output:** 1 amp SPST (NO,C)

**Protection:** Transient, reverse polarity

**Sensor :** 316LSS standard

**Temperature:** -20°F to +176° F (-29°C to 80°C)

**Pressure:** Up to 250 psig (1724 Kpa) - LL-01 series

**Mounting:** 1/4" NPT, 1/2" NPT STD (standard)

**Cable Length:** 12" (305mm) longer lengths, consult factory

**Pump Protection**

**Storage Tanks**

**Compressors**

**Hydraulic Supply Lines**

**Oil Film Detection**

**Coolant Reservoirs**